



**2015 Ottawa T2-30  
4 x 2 Yard Truck  
On-Highway  
Serial #336437**



Cummins Diesel ISB6.7 -200 HP (2015) Clean Idle Certified @ 2300 RPM, 520 LB/FT Torque @ 1600 RPM. 2013 with On-Board Diagnostics (OBD), Clean Idle Certified, Electronic and Charge Air Cooled with Primary Fuel Filter/ Water Separator with WIF Sensor. Fleetguard Air Filter and Air Restriction Indicator Mounted Under Hood.

Ground Level Oil and Transmission Check Capability.

Allison 3000RDS Electronic Transmission, 6 Speed with MaxiMizer Power Train System, Magnetic Drain Plug and Internal Filter. Includes Synthetic Transmission Fluid.  
Allison/ Diagnostic Push-Button Shifter.

Front Axle: Meritor FF-961 12,000 lbs.  
With Heavy Duty 16.5" X 5" Brakes and Hub Piloted Wheels.

Parabolic 3 Leaf Spring Suspension, Shackle Free, Lube Free, rated @ 14,600 lbs.

Rear Axle: Meritor/Rockwell Model RS-24-160 30,000 lb. 7.17:1 Ratio with Hub Piloted Wheels. Automatic Slack Adjusters Front and Rear Brakes.

Sheppard Gear Box Type Power Steering with Mechanical Back up.

\*126" Wheelbase.

\*50,000 lb. Yield 3/8" Formed C-Channel with

1/4" L-Frame Reinforcement,

\*RBM: 1,876,000-in. lbs. Per Rail For a Total of RBM: 3,752,000 on Both Rails,

Modular Frame Design.

Huck Bolts Used on Frames to Create Consistent Clamp Loads Throughout the Chassis.

11R22.5 Highway Tread Tires 22.5"x 8.25",  
285mm Hub Piloted Disc Wheels.

Holland Model FW-3500 Fifth Wheel with Automatic Latch and Driver Controlled

\*Unlatch – Rated @ 70,000 lbs., 70,000 lb. Lift Rated, 5" I.D. Hydraulic Cylinders, 17" Lift,  
Upper and Lower Spherical Bearings, 10 GPM System, Constant Running Wet Spline PTO/ Pump with Priority Steering Circuit, and 20 Gallon Hydraulic Tank.

\*Fifth wheel in Upright Position from Center Point to Back of Cab is 89".

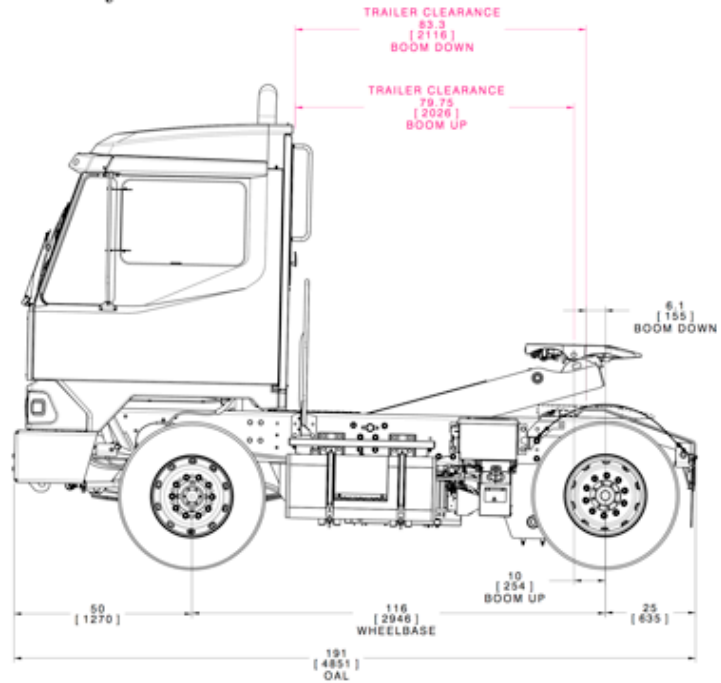
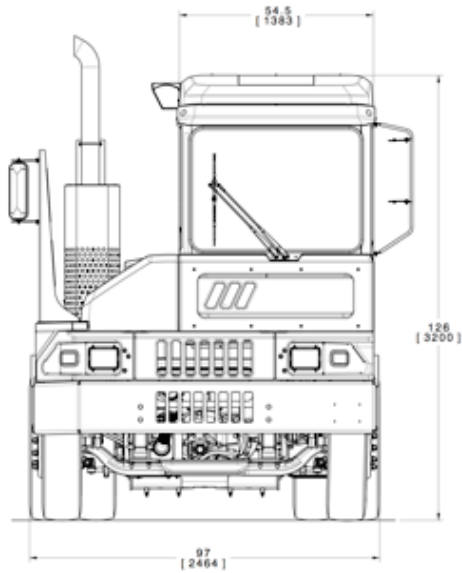
50 Gallon Rectangular "Step-Tank" Mounted on Driver Side with 10" Deep Step.

5 Gallon DEF (Urea) Tank, Mounted Under Battery Box.

DEF Exhaust System- After Treatment Components Located Inside Frame Rail to Protect from Outside Elements, with Vertical Stack.

55 Degree Tapered Deck and Bumper Curbside Front.

3 PT Cab Air Ride Suspension.



Electric Tilt System For Cab.

Integral Heating and Ventilation System with (3) Driver Vents, (4) Front Defrost Vents, and (2) Side Defrost Vents. High Air Flow Heater/Defroster with Molded Air, Electric Controls, Dual Blower Motors

High Roof Cab with 72” Clearance for Ease of Movement, Steel Side Door with 23” Door Opening and Aluminum Sliding Rear Door. Includes Door Locks.

Certified Roll-Over Protection Structure (ROPS) Integrated into Cab.

Tinted Glass All Windows  
 Integral Front and Rear Tow Hooks  
 12-Volt Electrical System- Negative Ground, (2) 12 Volt Low Maintenance Batteries  
 130 Amp Alternator  
 Electric Back Up Alarm  
 \*5 Digit Hour Meter, Mounted on Left Side of Cab  
 \*FMVSS 121 Split Brake System with Bobtail Proportioning and Anti-Compound Valves, with

ABS Brakes

See Through Sun Visor

Air Ride Seat with Retractable Seat Belt

ICC Light Package

16” Steering Wheel

Electric Windshield Washer with Pantograph Wipers

Digitally Driven Instrument Cluster: Air Pressure, Fuel Level, Hour Meter, Odometer, Speedometer, Rocker Switches with integrated LED Legend Lights, DEF and Critical Situation Indicators.

Large Aluminum Panel for Mounting Management Devices

Suspended Brake Pedal to Assist in Breaking Performance

Driver Comfort Features Including: Coat Hook Behind Driver’s Seat and Cup Holder

West Coast 16”X7” Mirrors

Cab Dome Light

Cab Marker Lights

Mud Flaps Behind Drive Axle and Steer Axle

Rubberized Undercoating Under Cab



## MID-PACIFIC INDUSTRIES, INC.

18 CFM Air Compressor, Air Capacity of 5444 in<sup>3</sup> – Enlarged Tanks to Further Assist in the Transfer of Air to the Trailer.

Two (2) Color Coded, Coiled Air Lines with Glad Hand Receivers  
Green 7 Wire Coiled Trailer Light Cable  
Color-Coded Air Lines, Complies to TMC Recommended Practices

Paint: Cab- Metal Structure/ Components- Full Immersion, Multi-Stage, “E” Coat with White Powder Coat.  
Composite Components- Color Impregnated  
Chassis- Black Powder Coat  
Wheels- White Powder Coat

- \*Air Horn
- \*Amber Strobe Light
- \*Cab Fan
- \*8” Convex Mirrors
- \*Trailer Stops for Cab Protection
- \*Fire Extinguisher, 5 LB. Mounted Beside Seat
- \*Glad Hand Receptacle Buckets
- \*Push Button Start with Key
- \*Bendix AD-9 Air Dryer
- \*Cab Protection - Driver and Curbside Guards with Rub-Rails.
- \*1 1/2 Block at Rear Crossmember to Support Fifth Wheel Tails - King Pin Guide 2” Triangle
- \*Stair Type Step with Grab Handle, Mounted on the Right Hand Side of the Frame.
- \*Air Conditioning Integral 134A Refrigerant, Electric Controls, Dual Blower Motors