



**2015 Ottawa Commando 30
4x2 On-Highway
Yard Truck
Serial #336382**



Cummins Diesel ISB6.7 -200 HP (2013)
Clean Idle Certified @ 2300 RPM, 520 LB/
FT Torque @ 1600 RPM. 2013 with On-
Board Diagnostics (OBD), Clean Idle
Certified, Electronic and Charge Air Cooled
with Primary Fuel Filter/Water Separator
with WIF Sensor.

Allison 3000RDS (6 Speed) Automatic
Transmission with Synthetic Transmission
Fluid

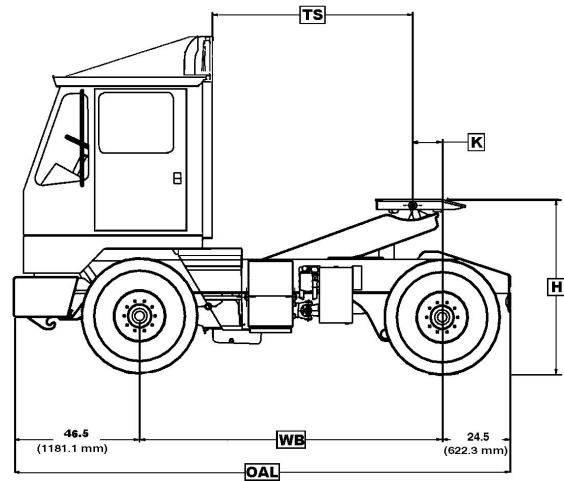
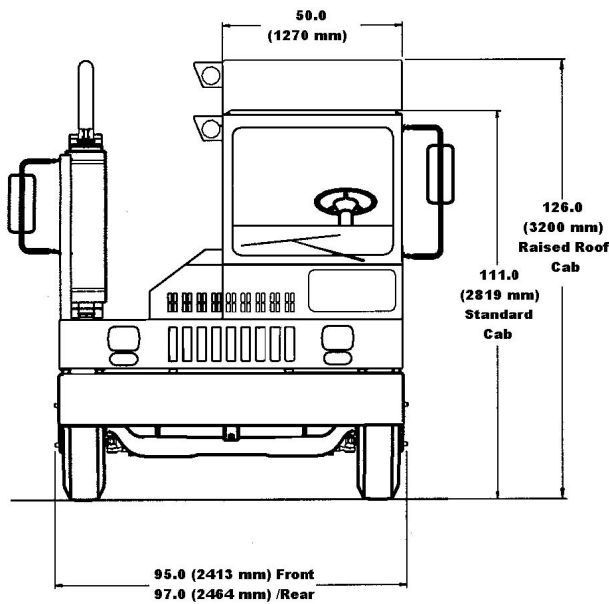
Front Axle: Meritor FF-961 12,000 lbs.
With Heavy Duty 16.5" X 5" Brakes and
Hub Piloted Wheels
Meritor/Rockwell Model RS-24-160
30,000 lb. Rear Axle:7.17:1 Ratio with Hub
Piloted Wheels
Automatic Slack Adjusters Front and Rear
Brakes

Sheppard Gear Box Type Power Steering
with Mechanical Back up
122" Wheelbase with "L" Frame
Reinforcement
50,000 lb. Yield 3/8" Formed Mainframe,
RBM: 1,835,000-in. lbs. Per Rail For a
Total of RBM: 3,670,000 on Both Rails
11R22.5 Highway Tread Tires 22.5"x
8.25", 285mm Hub Piloted Disc Wheels

Holland Model FW-3500 Fifth wheel with
Automatic Latch and Driver Controlled
Unlatch – Rated @ 70,000 lbs., 70,000 lb.
Lift Rated 5" I.D. Hydraulic Cylinders, 17"
Lift
Fifth wheel in Upright Position from Center
Point to Back of Cab is 85"

50 Gallon Round Fuel Tank Mounted
Driver's Side
5 Gallon DEF Tank
55 Degree Tapered Deck and Bumper
Curbside Front
3 PT Cab Air Ride Suspension
Electric Tilt System For Cab
40,000 BTU Heater/Defroster
Raised Roof Cab with Side and Sliding
Rear Cab Door and Door Locks
Tinted Glass All Windows
Horizontal Exhaust with Vertical Stack
Front Tow Hooks and Rear Tow Eyes
(1) 12 Volt Low Maintenance Battery
130 Amp Alternator
Electric Back Up Alarm
*5 Digit Hour Meter, Mounted on Left Side
of Cab
FMVSS 121 Split Brake System with
Bobtail Proportioning and Anti-Compound
Valves
Legal Width Side Step
See Thru Sunvisor

Serial #336382



Air Ride Seat with Retractable Seat Belt
ICC Light Package
Electric Windshield Washer and Wiper
Speedometer
Cab Marker Lights
7 Wire Coiled Trailer Light Cable
Mud Flaps Behind Drive Axle and Steer
Axle
Cab Deck Undercoating
18 CFM Air Compressor
*MaxiMizer Fuel Reduction System

Paint: Cab - *White*
Chassis - *Black*
Platforms, Steps and Grab
Handles - *Yellow*
Wheels - *White*

*Air Horn
*Amber Strobe Light
*Cab Fan
*8" Convex Mirrors
*Trailer Stops for Cab Protection
*Fire Extinguisher, 5 LB. Mounted Beside
Seat
*Push Button Start with Key
*Glad Hand Receptacle Buckets
*Bendix AD-9 Air Dryer
*Heavy Duty Front Springs, 11 Leaf Left,
10 Leaf Right
*1 1/2 Block at Rear Crossmember to
Support Fifth Wheel Tails - King Pin Guide
2" Triangle
*Air Conditioning Integral 134A
Refrigerant



MID-PACIFIC INDUSTRIES, INC.