



**2014 Ottawa Commando 50
4x2 On-Highway
Yard Truck
Serial #334391**



Cummins Diesel ISB6.7 -200 HP (2010) Clean Idle Certified @ 2300 RPM, 520 LB/FT Torque @ 1600 RPM Electronic-CAC with Primary Fuel Filter / Water Separator Complete with OBD (On Board Diagnostics) for DPF Exhaust.

Allison MY09 3000RDS (6 Speed) Automatic Transmission with Synthetic Transmission Fluid
Front Axle: Meritor FF-961 12,000 lbs.

With Heavy Duty 16.5" X 5" Brakes and Hub Piloted Wheels

Meritor/Rockwell Model RS-30-380 (Double Reduction Rear Axle) 42,000 lb. Rear Axle 10.62:1 Ratio with Hub Piloted Wheels

Automatic Slack Adjusters Front and Rear Brakes

Sheppard Gear Box Type Power Steering with Mechanical Back up

122" Wheelbase with "L" Frame Reinforcement
50,000 lb. Yield 3/8" Formed Mainframe, RBM: 1,835,000-in. lbs. Per Rail For a Total of RBM: 3,670,000 on Both Rails

11R22.5 x 14 10 Hole Steel 285mm Hub Piloted Disc Wheels

Holland Model FW-3500 Fifth wheel with Automatic Latch and Driver Controlled Unlatch – Rated @ 70,000 lbs., 70,000 lb. Lift Rated 5" I.D. Hydraulic Cylinders 17" Lift Fifth wheel in Upright Position from Center Point to Back of Cab is 85 "

40 Gallon Round Fuel Tank

5 Gallon DEF Tank

55 Degree Tapered Deck and Bumper Curbside Front

3 PT Cab Air Ride Suspension

Electric Tilt System For Cab

40,000 BTU Heater/Defroster

Raised Roof Cab with Side and Sliding Rear Cab Door and Door Locks

*Raised Roof Cab

Tinted Glass All Windows

Horizontal Exhaust with Vertical Stack

Front Tow Hooks and Rear Tow Eyes

(2) 12 Volt Low Maintenance Batteries

130 Amp Alternator

Electric Back Up Alarm

5 Digit Hour Meter

Split Brake System with 121 Brake System and Bobtail Proportioning

and Anti-Compound Valves

Legal Width Side Step

See Thru Sunvisor

Air Ride Seat with Retractable Seat Belt

ICC Light Package

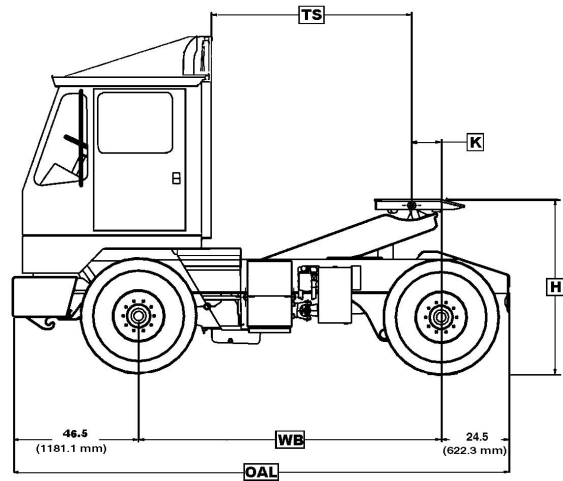
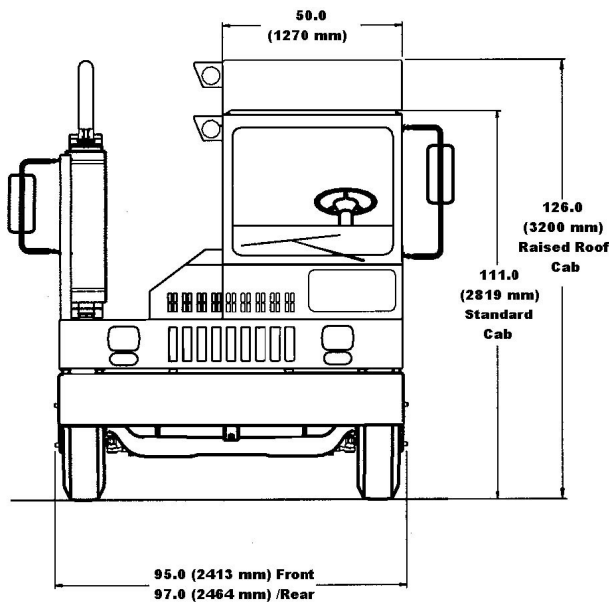
Electric Windshield Washer and Wiper

Speedometer

Cab Marker Lights

7 Wire Coiled Trailer Light Cable

Serial #334391



Mud Flaps Behind Drive Axle and Steer Axle

Cab Deck Undercoating

18 CFM Air Compressor

*MaxiMizer Fuel Reduction System

Paint: Cab - *White*

Chassis - *Black*

Platforms, Steps and Grab Handles - *Yellow*

Wheels - *White*

*Amber Strobe Light

*Cab Fan

*8" Convex Mirrors

*Trailer Stops for Cab Protection

*Fire Extinguisher, 5 LB. Mounted Beside Seat

*Push Button Start with Key

*Glad Hand Receptacle Buckets

*3 Point Orange Seatbelt

*Glad Hand Receptacle Bucket

*Jump Start Studs

*Bendix AD-9 Air Dryer

*Heavy Duty Front Springs, 11 Leaf Left, 10 Leaf Right

*1 1/2 Block at Rear Crossmember to Support Fifth Wheel Tails - King Pin Guide 2" Triangle



MID-PACIFIC INDUSTRIES, INC.