



**2013 Ottawa Commando 30  
4x2 Off-Highway  
Yard Truck  
Serial #332367**



\*Cummins Diesel Tier 4I QSB6.7 -173 HP @ 2200 RPM, 590 LB/FT Torque @ 1500 RPM Electronic-CAC with Primary Fuel Filter / Water Separator Allison Model MY09 3000RDS Automatic Transmission with Synthetic Transmission Fluid Front Axle: Meritor FF-961 12,000 lb.  
\*With Heavy Duty 16.5" X 5" Brakes and Hub Piloted Wheels  
\*Meritor/Rockwell Model RS-24-160 30,000 lb. Rear Axle 7.17:1 Ratio with Hub Piloted Wheels Automatic Slack Adjuster, Front and Rear

Sheppard Gear Box Type Power Steering with Mechanical Back up  
\*116" Wheelbase with "L" Frame Reinforcement  
\*50,000 lb. Yield 3/8" Formed Mainframe, RBM: 1,835,000-in. lbs. Per Rail For a Total of RBM: 3,670,000 on Both Rails

11R22.5 x 14 Ply Radial Tread Tires  
10 Hole Steel 285mm Hub Piloted Disc Wheels Holland Model FW-3500 Fifth Wheel with Automatic Latch and Driver Controlled Unlatch – Rated @ 70,000 lbs., 70,000 lb. Lift Rated 5" I.D. Hydraulic Cylinders 17" Lift  
\*Fifthwheel in Upright Position from Center Point to Back of Cab is 79 "

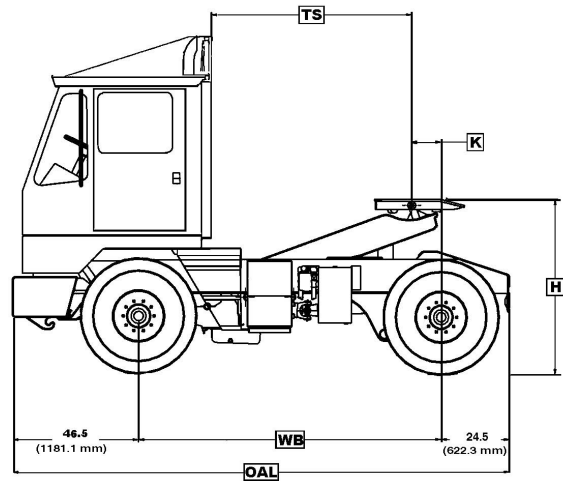
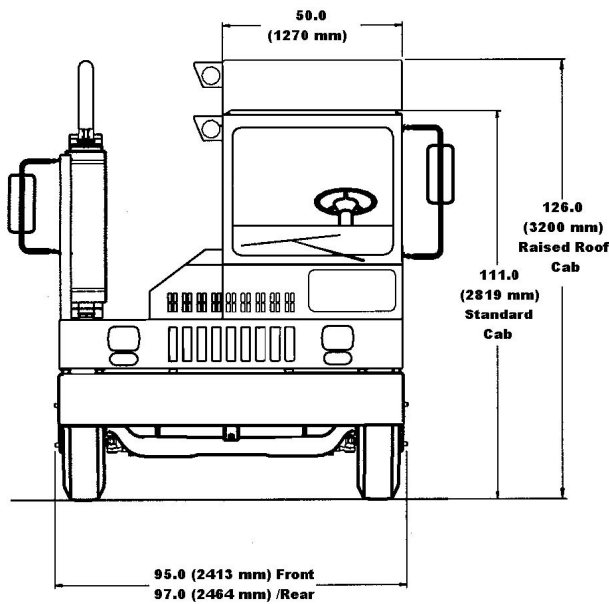
\*50 Gallon Rectangular Step Fuel Tank, Mounted Street Side  
55 Degree Tapered Deck and Bumper Curbside Front

3 PT Cab Air Ride Suspension  
Electric Tilt System For Cab  
40,000 BTU Heater/Defroster  
Cab Deck Undercoating  
Raised Roof Cab with Side and Rear Cab Doors  
\*Raised Roof Cab includes New Skycab Roof  
Tinted Glass All Windows  
Vertical Exhaust with Heat Shields  
Front Tow Hooks and Rear Tow Eyes  
Electric Windshield Wiper  
Speedometer  
\*5 Digit Hour Meter Mounted on Left Side of Cab  
Aluminum Sliding Rear Door  
18.7 CFM Air Compressor  
Air Ride Seat with Retractable Seat Belt  
(2) 12 Volt Low Maintenance Batteries  
130 Amp Alternator  
Electric Back Up Alarm  
5 Digit Hour Meter  
\*MaxiMizer Fuel Reduction System

Paint: Cab - *White*  
Chassis - *Black*.  
Platforms, Steps and Grab Handles - *Black*  
Wheels - *White*, Rubberized Undercoating Under Cab and Deck

\*Air Horn  
\*Amber Strobe Light  
\*Cab Fan  
\*Mud Flaps Behind Drive Axle

Serial #332367



- \*Air Conditioning
- \*8" Convex Mirrors
- \*Trailer Stops for Cab Protection
- \*Fire Extinguisher, 5 Lb. Mounted Beside Seat
- \*Push Button Start with Key
- \*Glad Hand Receptacle Buckets

- \*Legal Width Side Step
- \*Bendix Westinghouse AD-9 Air Dryer
- \*Heavy Duty Front Springs, 11 Leaf Left, 10 Leaf Right
- \*1 1/2 Block at Rear Crossmember to Support Fifth Wheel Tails - King Pin Guide 2" Triangle



MID-PACIFIC INDUSTRIES, INC.