



**2011 Ottawa Commando 50
4x2 Off-Highway
Yard Truck
Serial #326800**



*Cummins Tier 3 QSB 6.7 173 HP @ 2200 RPM,
590 LB/FT Torque @ 1500 RPM
Electronic - CAC
Allison Model MY09 3500RDS Automatic
Electronic Transmission
Meritor/Rockwell Model FF-961 12,000 lb. Front
Axle
*With Heavy Duty 16.5" X 5" Brakes and Hub
Piloted Wheels
Meritor/Rockwell Model RS-30-380 42,000 lb.
Double Reduction Rear Axle, 10.62:1 Ratio with
Hub Piloted Wheels

Sheppard Gear Box Type Power Steering with
Mechanical Back up
*122" Wheelbase with "L" Frame Reinforcement
*50,000 lb. Yield 3/8" Formed Mainframe, RBM:
1,835,000-in. lbs. Per Rail For a Total of RBM:
3,6700,000 on Both Rails

11R22.5 Radial 14 Ply Highway Tread Tires
8.25 X 22.5 10 Hole Steel 285mm Hub Piloted
Disc Wheels

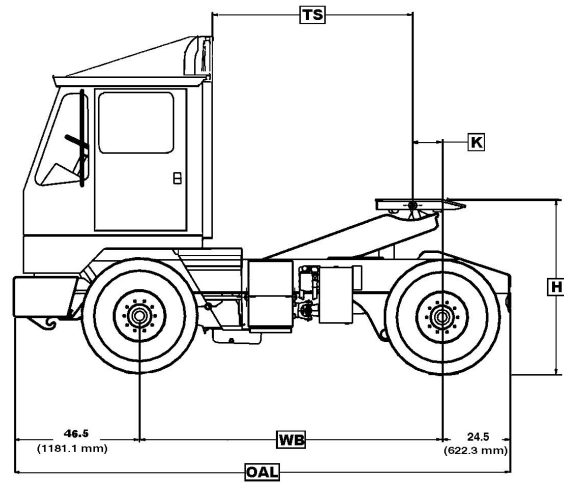
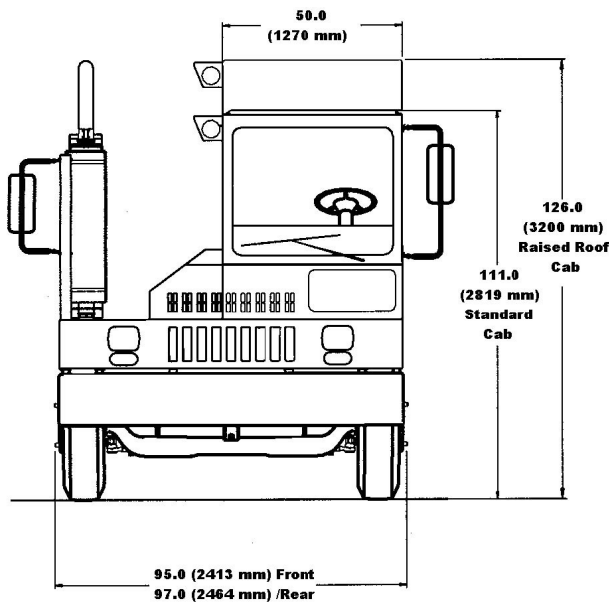
Holland Model FW-3500 Fifthwheel with
Automatic Latch and Driver Controlled
Unlatch – Rated @ 70,000 lbs., 70,000 lb. Lift
Rated 5" I.D. Hydraulic Cylinders 17" Lift
*Fifthwheel in Upright Position from Center Point
to Back of Cab is 85 "

*50 Gallon Rectangular Step Tank
55 Degree Tapered Deck and Bumper Curbside
Front
3 PT Cab Air Ride Suspension
Electric Tilt System For Cab
40,000 BTU Heater/Defroster
*5 Digit Hour Meter Mounted on Left Side of Cab
Side and Rear Cab Doors
Cab and Deck Undercoating
Tinted Glass All Windows
Vertical Exhaust with Heat Shields
Electric Windshield Wiper
Speedometer
Aluminum Sliding Rear Door
Front Tow Hooks and Rear Tow Eyes
Air Ride Seat with Retractable Seat Belt
15.2 CFM Wabco Air Compressor
(2) 12 Volt Low Maintenance Batteries
130 Amp Alternator
Electric Back up Alarm

Paint: Cab - White
Chassis - Black
Wheels - White

*Air Horn
*Strobe Light
*Cab Fan
*Mud Flaps Behind Drive Axle
*8" Convex Mirrors

Serial #326800



- *Trailer Stops for Cab Protection
- *Glad Hand Receptacle Buckets
- *Push Button Start with Key
- *Legal Width Side Step
- *Raised Roof Cab

- *Bendix Westinghouse AD-9 Air Dryer
- *Air Conditioning Integral 134A Refrigerant
- *1 1/2 Block at Rear Crossmember to support 5th Wheel Tails - King Pin Guide 2" Triangle



MID-PACIFIC INDUSTRIES, INC.