



**2008 Ottawa Commando 30
4x2 On-Highway
Yard Truck
Serial #320424**



*Cummins ISB07 200 HP @ 2300 RPM, 520 LB/FT Torque @ 1600 RPM
Allison Model 3000RDS (3 Speed) Automatic Electronic Transmission
Meritor/Rockwell Model FF-961 12,000 lb. Front Axle
*With Heavy Duty 16.5" X 5" Brakes With Hub Piloted Wheels
Meritor/Rockwell Model RS-24-160 30,000 lb. Rear Axle, 7.17:1 Ratio with Hub
Piloted Wheels with 16.5" X 7" Brakes

Sheppard Gear Box Type Power Steering with Mechanical Back Up
*116" Wheelbase with "L" Frame Reinforcement
*50,000 lb. Yield 3/8" Formed Mainframe, RBM: 1,835,000-in. lbs. Per Rail For a Total of RBM: 3,670,000 on Both Rails

Holland Model FW-3500 Fifthwheel with Automatic Latch and Driver Controlled Unlatch – Rated @ 70,000 lbs., 70,000 lb. Lift Rated 5" I.D. Hydraulic Cylinders 17" Lift Heavy Duty Box Boom
*Fifthwheel in Upright Position from Center Point to Back of Cab is 79"

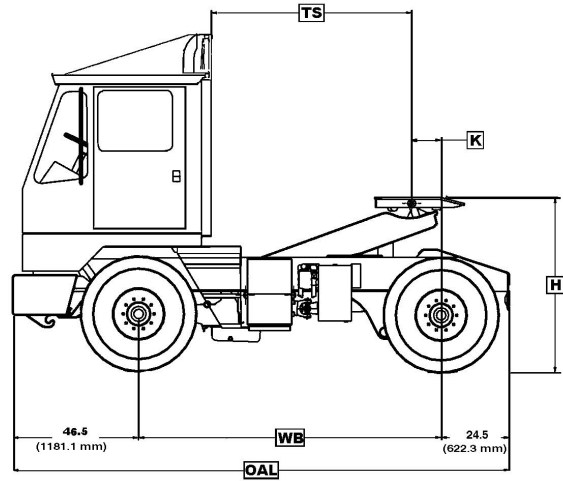
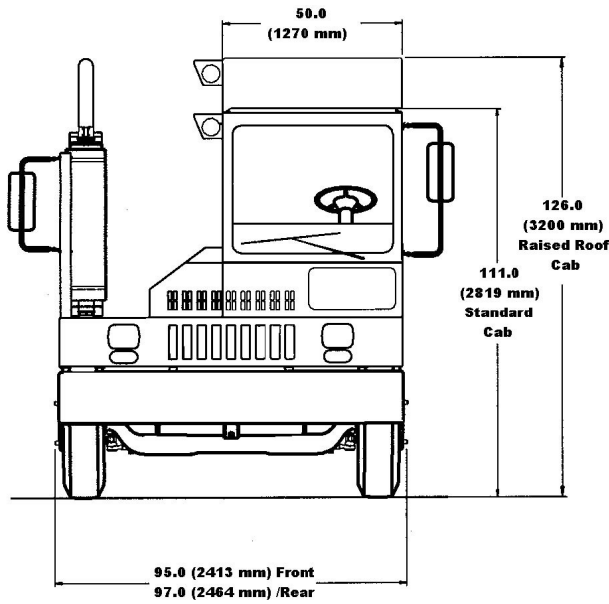
*50 Gallon Rectangular Step Fuel Tank
55 Degree Tapered Deck and Bumper Curbside Front
3 PT Cab Air Ride Suspension

Electric Tilt System for Cab
40,000 BTU Heater/Defroster
Cab and Deck Undercoating
Side and Rear Cab Doors
Tinted Glass all Windows
Vertical Exhaust with Heat Shield
Front Tow Hooks and Rear Tow Eyes
15.2 CFM Cummins/Wabco Air Compressor
(2) 12 Volt Low Maintenance Batteries
130 Amp Alternator
Aluminum Sliding Rear Door

Paint: Cab - White
Chassis - Black
Wheels - White

Electric Back Up Alarm
Brake System FMVSS 121
Legal Width Side Step
See-Thru Sunvisor
Air Ride Seat with Retractable Seat Belt
ICC Light Package
Electric Windshield Washer and Wiper
Speedometer
Cab Marker Lights
7-Wire Coiled Trailer Light Cable
Automatic Slack Adjusters on Steer Axle
Automatic Slack Adjusters on Drive Axle
Mud Flaps Behind Drive Axle
Raised Roof Cab
*Strobe Light

Serial #320424



- *Cab Fan
- *8" Convex Mirrors
- *Gladhand Receptacle Buckets
- *Push Button Start with Key

- *5 LB. Fire Extinguisher
- *Bendix Westinghouse AD-9 Air Dryer
- *Air Conditioning Integral 134A Refrigerant



MID-PACIFIC INDUSTRIES, INC.